

LONG RANGE SIRENS

SIRENCO 2D

Totally enclosed, robust, all weather cast aluminium long range siren with a very powerful low dual frequency output. This design enables the siren to produce a sound output of 2000m. Ideally suited for factories sirens, refineries, quarries, construction and industrial sites were required, as well as both underground and surface non-friy mines. Thermal cut out protected.

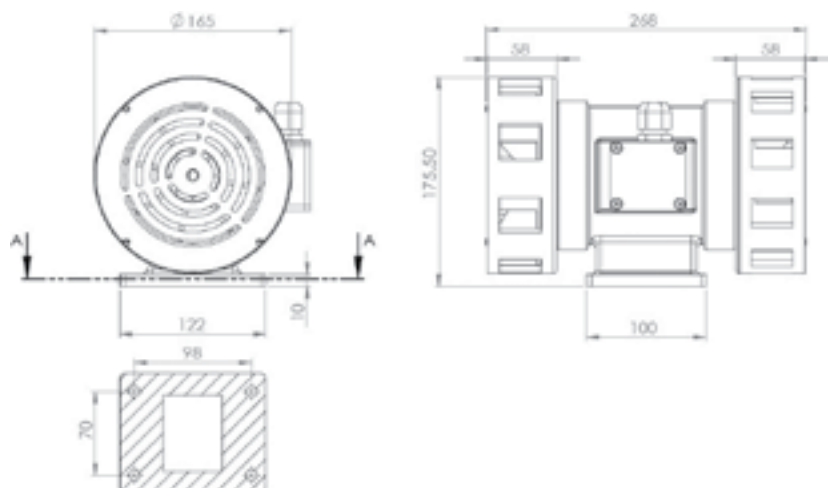


SM20110 | 110VAC/DC | SM20220 | 220VAC/DC

SPECIFICATIONS

VOLTAGE	110VAC/DC 220V AC/DC
DUTY CYCLE	Continuous (Thermal cut-out protected)
SOUND OUTPUT	121dB(A)
SOUND FREQUENCY	370Hz / 660Hz
APP. RANGE	2000m in still air on open field
CURRENT CONSUMPTION*	110V - 2.2A 220V -1.8A
IP RATING	Standard IP65
WEIGHT	8.2kg
PACKING DIMENSIONS	270x175x190mm

*Startup current x8 of nominal current



IP65



All dimensions in mm